

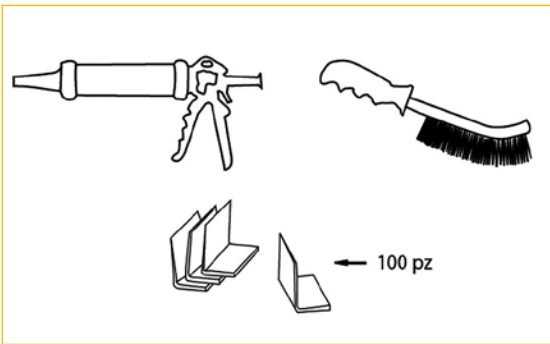
SHIMS CORNERS

SOUNDPROOF SHIMS

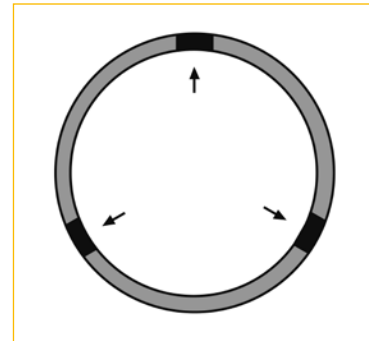
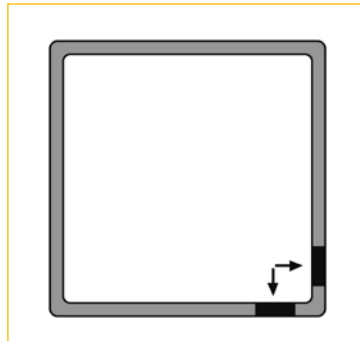
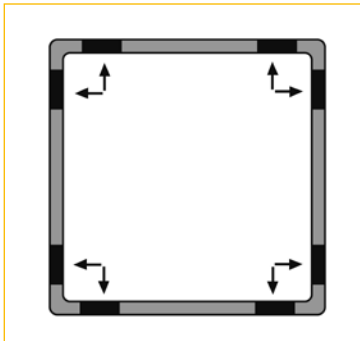
Special plastic soundproofing shims designed with a particular non-symmetrical configuration and a thin wedged shaped surface- studied to stop the movement of the lid and avoid the noise from flapping (code K0366).



Shims positioning between cover and frame.



Complete set of special glue, cutter, spatula and brush for surface cleaning (Sold separately)



The shape of the shims ensures versatile use, suitable for manhole covers of many type. The shims avoids any banging noise of manholes of any shape and size.



Shims installation.